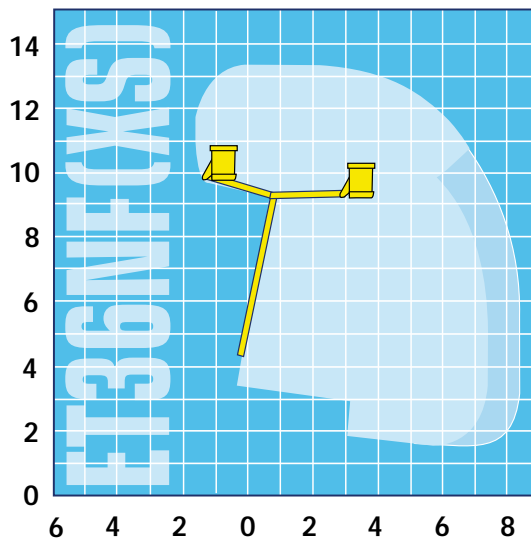
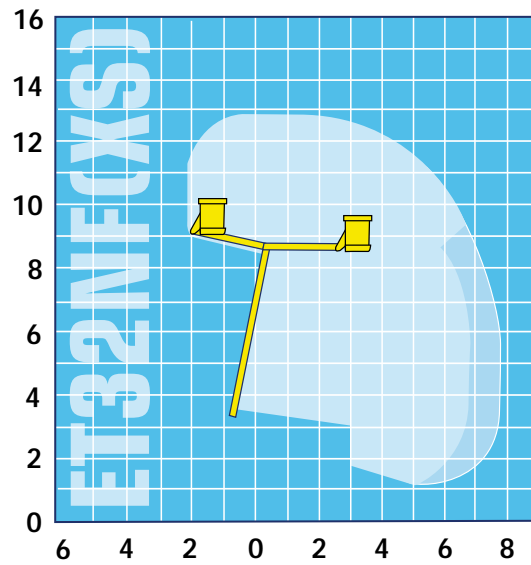


specifications

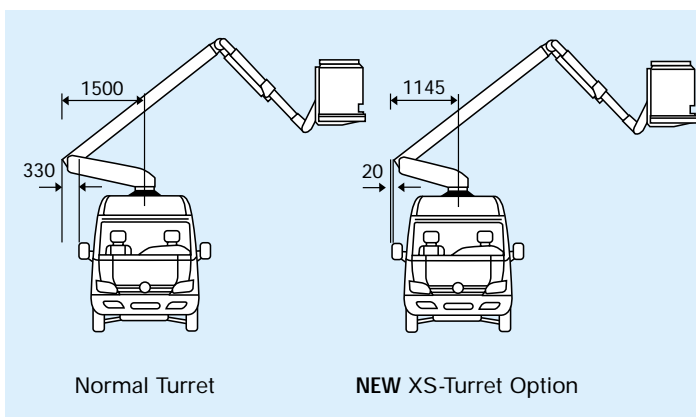
	ET32NFXS	ET36NF	ET36NFXS
max. working height	12.2m	13.2m	13.2m
max. platform height	10.2m	11.2m	11.2m
horizontal outreach@200kg SWL	7.1m	7.3m	7.3m
horizontal outreach@120kg SWL	8.2m	8.4m	8.4m
fly boom	110° standard / 180° optional		
non continuous rotation	>360°	>360°	>360°
boom travel	-7° to 80°	-7° to 80°	-7° to 80°
GVW	3.5t	3.5t	3.5t

Please note that SWL, material handling capabilities, outreach and working height vary according to specification of platform and base vehicle. Above figures are intended as best guide only. Versalift is certified to ISO 9001: 2000 by TUV UK quality assurance Ltd; number GB00468.



All dimensions in metres

- Reach of ET32NF(XS) • ET36NF • ET36NFXS (1 man)
- Reach of ET32NF • ET36NF



www.versalift.co.uk

1 Altendiez Way, Latimer Park, Burton Latimer, Northants. NN15 5YT
Tel: 01536 721010 Fax: 01536 721111 email: sales@versalift.co.uk

The photographs in this brochure are for promotional purposes only. Specifications are subject to change without notice.

EUROTEL

ET32NFXS • ET36NF • ET36NFXS
up to 3.5T GVW full function platforms



Telescopic
boom models



110° flyboom



Up to 13.0m



Up to 7.3m



GVW vehicles

VERSALIFT

EUROTEL

ET32NFXS • ET36NF • ET36NFXS
on 3.5T GVW full function platforms

Versalift offers the Eurotel range for upto 3.5t GVW offering full function telescopic main boom and 110/90° flyboom as standard plus optional 180° flyboom for lighter GVW vehicles from a pickup to a transit.



Specialist applications, such as the ET32NFXS mounted onto pick up trucks such as the Ford Ranger.

All platforms feature a one year parts and labour warranty, with an optional three year extended warranty and a range of Repair and Maintenance contracts available at extra cost.





features & benefits

Lightweight platforms for greater spare payload

ET36NF achieves up to 300kg spare payload on 3.5 tonne GVW

ET32NFXS achieves up to 400kg spare payload on 3.5 tonne GVW

No tailswing beyond mirrors on XS models

Full platform function emergency power

Emergency stop at platform and pedestal

Full functions at ground on 5m wander lead

Aluminium inner telescopic boom

Steel outer boom and pedestal

Van or truck mount

Extended outreach pack adds up to 1m with 120kg SWL

Critical fasteners are torqued and sealed

